

全谷产品手册 < 2 >



全谷制冷空调(上海)有限公司是一家专业制造、销售压缩冷凝机组、商用空调和冷风机等产品的制造工厂,产品主要配件全部采用国内外知名品牌。产品远销海内外,并受到国内外客户的一致好评。

Shanghai QuanGu Refrigeration Air-condition(Shanghai) Company is a famous manufacturer which is specialized in the production and sales of condensing unit, commercial air conditioner and air cooler, also our company can produce the units according to the standard from the customers, such as the single pole and the multi pole unit. The products of our company have been exported to many countries of the world and have a very good reputation.

- 通过ISO9001-2000质量体系认证
- 国家制冷设备生产许可证的持证生产企业
- 谷轮压缩冷凝机组的专业制造厂
- 产品品种多,规格全,面对中高端客户
- 产品曾用于航天工业产品实验
- 广泛应用于四、五星级宾馆厨房冷库
- 为国际著名快餐行业提供冷冻机组

- Be certificated by the ISO9001-2000 Quality System
- Be authorized to produce by the National Refrigeration Association
- The professional manufacturer of the Copeland condensing unit
- With a variety of products for the middle-end and high-end users
- Was used for the laboratory equipments of the space industry
- Be widely used for the kitchen refrigeratory of the four-star and five-star hotels
- Provide refrigeration units for the international fast-food industry

D型 吊顶式冷风机

D Series Ceiling Suspended Unit Cooler Catalogue



全谷制冷空调(上海)有限公司
Quangu Refrigeration Air-Condition(Shanghai)Co., Ltd

地址:上海市绥德路118弄65号2层 Address: Floor 2, No.65, Lane 118, Suide road, Shanghai
生产基地:上海市松江区泖港镇 新波路358弄A-2号 Manufacturer Center: No. A-2, lane 358, Xinbo road, Maogang town, Songjiang district, Shanghai
电话: 021-57862649 Tel: 021-57862649
传真: 021-57862648 Fax: 021-57862648
邮编: 201607 Post code: 201607
网址: www.chinahonggu.com Website: www.chinahonggu.com

我公司对样本中出现的各类技术参数保留自行更改而不事先通知的权利
Our company reserves the right to modify the specification in the catalogue without the advance notice



全谷制冷空调(上海)有限公司
Quangu Refrigeration Air-Condition(Shanghai)Co., Ltd



企业简介

Corporation introduction

全谷制冷空调(上海)有限公司是集设计、开发、制造为一体的综合性企业,专业生产“全谷”牌制冷设备。具备雄厚的制冷技术、先进的生产流水线及检测设备,是国家制冷设备生产许可的持证生产单位。

主营产品:各种风冷、水冷冷凝器及蒸发器、冷风机、各种敞开放式压缩冷凝机组、箱式涡旋(半封闭)机组、复叠机组、螺杆机组、并联机组及工业冷水机组;

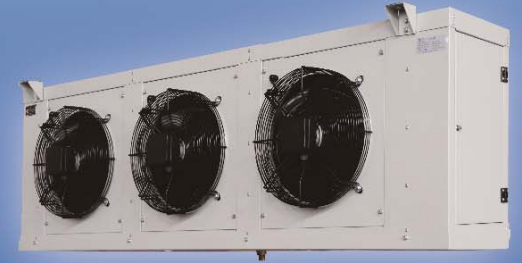
服务领域:公司产品广泛应用于各类医药、生物制品、农业、商业(连锁超市、星级酒店)、物流冷库等领域,公司长期为国家航天工业产品实验、环境实验检测单位及国际知名空调和快餐品牌提供产品配套及服务。

Quangu refrigeration air condition (Shanghai) Co., Ltd is a corporation which involves in the refrigeration equipment design, development and manufacture, and is typically specialized in the production of "Quangu" brand refrigeration equipment. It is with high level refrigeration technology, advanced manufacture line and test equipment, and also has the national refrigeration equipment production license.

The main products: Different type of air cooled, water cooled condenser and evaporator; unit cooler and different type of open type condensing unit, box type scroll or semi-hermetic compressor condensing unit, multi-pole unit, screw unit, rack unit and industry chiller.

The range of application: The products are widely used in different field, such as the industry in medical, biological, agricultural, commercial (chain supermarket, star-rated hotel) and logistic cold room, and our factory also long-term provides the specific unit for national space industry product test, environment test department and worldwide famous A/C and fast food company.

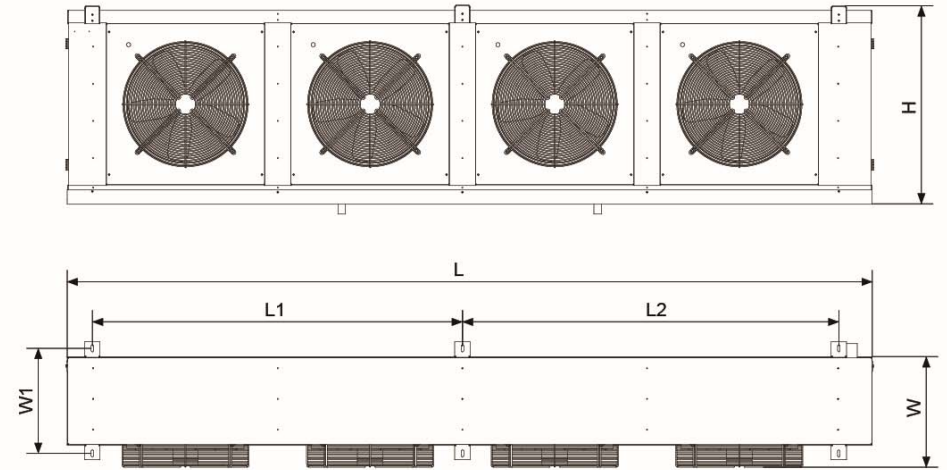
国际品质
全谷制造



产品特点 Product Feature

- 镀锌板喷塑工艺，耐腐蚀性好
Galvanized sheet with plastic coated which has better corrosion resistance performance
- 采用内螺纹铜管，传热效率高
Use internal thread copper tube which is with better heat transfer performance
- 采用亲水铝箔，换热效率高，化霜效果好
Use blue fin which is with higher heat exchange rate and better defrosting performance
- 具有化霜过热保护功能，安全系数高
With defrosting over heating protection function which is more safe
- 采用冷风机专用耐低温，防潮风机，故障率低
Use low temperature resistance and moisture protection fan which is specially designed for the air cooler
- 独立的风道设计，减少多风机时的相互干扰
The independent air duct design which can reduce the mutual interference by the multi-fans

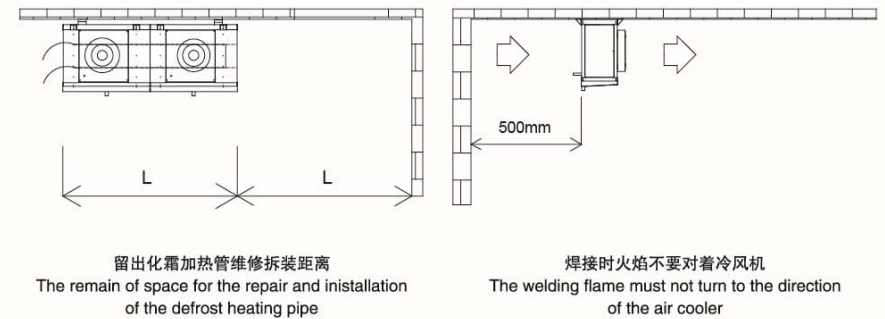
外形及安装尺寸图 Outline and installation dimension drawings



型号说明 Unit Model



安装示意图 Installation instruction



技术参数 Specification

型号 Model No.	换热能力 Heat Exchange Capacity		风机 Fan		风机风量 Air flow volume		风机电源 Power supply 3-380V/50Hz		连接管 Connection pipe		蒸发器融霜管 Defrost pipe		接水盘融霜管 Water collector defrost pipe		融霜总功率 Total defrost power		外形尺寸 Dimension mm		安装尺寸 Installation dimension mm		
	W	kw	直径 Diameter mm	数量 QTY	m ³ /h	送风距离 Air flow distance	输入功率 Input power KW	进管 Inlet pipe inch	出管 Output pipe inch	功率 Power KW	数量 QTY	功率 Power KW	数量 QTY	功率 Power KW	L×H×W	L×H×W	(L-1)×L2)×W1				
片距 Fin space: 4.5mm 蒸发温度 Evaporating temp: -7℃ ΔT=8K																					
QG-D301/3.1L	3100		300	1	1800	7	0.10	1/2"	7/8"	0.4	2	0.4	1	1.2	686×488×396	686×488×396	451×405				
QG-D301/3.9L	3900		300	1	1800	6	0.10	1/2"	7/8"	0.4	2	0.4	1	1.2	686×488×396	686×488×396	451×405				
QG-D302/6.3L	6310		300	2	3600	7	0.20	1/2"	7/8"	0.8	2	0.8	1	2.4	1112×488×396	1112×488×396	877×405				
QG-D302/7.8L	7800		300	2	3600	6	0.20	1/2"	1 1/8"	0.8	2	0.8	1	2.4	1112×488×396	1112×488×396	877×405				
QG-D352/11.3L	11300		350	2	5600	13	0.42	5/8"	1 1/8"	1	2	1	1	3	1394×628×416	1394×628×416	1157×405				
QG-D353/16.5L	16500		350	3	8400	13	0.63	5/8"	1 3/8"	1.5	2	1.5	1	4.5	1960×628×416	1960×628×416	1723×405				
QG-D354/24.3L	24300		350	4	11200	12	0.84	7/8"	1 5/8"	2	2	2	1	6	2526×628×416	2526×628×416	(1132+1157)×405				
QG-D452/22.8L	22800		450	2	9500	16	0.56	7/8"	1 3/8"	1.3	3	1.3	1	5.2	1702×768×426	1702×768×426	1467×405				
QG-D453/33.9L	33900		450	3	14250	16	0.84	1 1/8"	1 5/8"	1.9	3	1.9	1	7.6	2423×768×426	2423×768×426	2188×405				
QG-D454/35.8L	35800		450	4	19000	17	1.12	1 1/8"	1 5/8"	2.6	2	2.6	1	7.8	3144×768×426	3144×768×426	(1442+1467)×405				
QG-D454/44.8L	44800		450	4	19000	16	1.12	1 1/8"	1 5/8"	2.6	3	2.6	1	10.4	3144×768×426	3144×768×426	(1442+1467)×405				
片距 Fin space: 6.0mm 蒸发温度 Evaporating temp: -23℃ ΔT=7K																					
QG-D301/2.3D	2310		300	1	1800	7	0.10	1/2"	7/8"	0.4	3	0.4	1	1.6	686×488×396	686×488×396	451×405				
QG-D301/2.9D	2900		300	1	1800	6	0.10	1/2"	7/8"	0.4	4	0.4	1	2	686×488×396	686×488×396	451×405				
QG-D302/4.5D	4500		300	2	3600	7	0.20	1/2"	7/8"	0.8	3	0.8	1	3.2	1112×488×396	1112×488×396	877×405				
QG-D302/5.7D	5700		300	2	3600	6	0.20	1/2"	1 1/8"	0.8	4	0.8	1	4	1112×488×396	1112×488×396	877×405				
QG-D352/8.1D	8100		350	2	5600	13	0.42	5/8"	1 1/8"	1	3	1	1	4	1394×628×416	1394×628×416	1157×405				

QG-D353/12.1D	12100		350	3	8400	13	0.63	5/8"	1 3/8"	1.5	3	1.5	1	6	1960×628×416	1960×628×416	1723×405				
QG-D354/16.3D	16300		350	4	11200	13	0.84	7/8"	1 3/8"	2	3	2	1	8	2526×628×416	2526×628×416	(1132+1157)×405				
QG-D354/18.8D	18800		350	4	11200	12	0.84	7/8"	1 5/8"	2	4	2	1	10	2526×628×416	2526×628×416	(1132+1157)×405				
QG-D452/17.3D	17300		450	2	9500	16	0.56	7/8"	1 3/8"	1.3	5	1.3	1	7.8	1702×768×426	1702×768×426	1467×405				
QG-D453/25.7D	25700		450	3	14250	16	0.84	1 1/8"	1 5/8"	1.9	5	1.9	1	11.4	2423×768×426	2423×768×426	2188×405				
QG-D454/26.1D	26100		450	4	19000	17	1.12	1 1/8"	1 5/8"	2.6	3	2.6	1	10.4	3144×768×426	3144×768×426	(1442+1467)×405				
QG-D454/34.1D	34100		450	4	19000	16	1.12	1 1/8"	1 5/8"	2.6	5	2.6	1	15.6	3144×768×426	3144×768×426	(1442+1467)×405				
片距 Fin space: 7.5mm 蒸发温度 Evaporating temp: -30℃ ΔT=6K																					
QG-D301/1.7J	1710		300	1	1800	7	0.10	1/2"	7/8"	0.4	3	0.4	1	1.8	686×488×396	686×488×396	451×405				
QG-D301/2.3J	2300		300	1	1800	6	0.10	1/2"	7/8"	0.4	4	0.4	1	2	686×488×396	686×488×396	451×405				
QG-D302/3.4J	3400		300	2	3600	7	0.20	1/2"	7/8"	0.8	3	0.8	1	3.6	1112×488×396	1112×488×396	877×405				
QG-D302/4.3J	4300		300	2	3600	6	0.20	1/2"	1 1/8"	0.8	4	0.8	1	4	1112×488×396	1112×488×396	877×405				
QG-D352/6.3J	6300		350	2	5600	13	0.42	5/8"	1 1/8"	1	3	1	1	4	1394×628×416	1394×628×416	1157×405				
QG-D353/9.5J	9500		350	3	8400	13	0.63	5/8"	1 3/8"	1.5	3	1.5	1	6	1960×628×416	1960×628×416	1723×405				
QG-D354/12.7J	12700		350	4	11200	13	0.84	7/8"	1 3/8"	2	3	2	1	8	2526×628×416	2526×628×416	(1132+1157)×405				
QG-D354/14.8J	14800		350	4	11200	12	0.84	7/8"	1 5/8"	2	4	2	1	10	2526×628×416	2526×628×416	(1132+1157)×405				
QG-D452/14.1J	14100		450	2	9500	16	0.56	7/8"	1 3/8"	1.3	5	1.3	1	7.8	1702×768×426	1702×768×426	1467×405				
QG-D453/21.1J	21100		450	3	14250	16	0.84	1 1/8"	1 5/8"	1.9	5	1.9	1	11.4	2423×768×426	2423×768×426	2188×405				
QG-D454/20.5J	20500		450	4	19000	17	1.12	1 1/8"	1 5/8"	2.6	3	2.6	1	10.4	3144×768×426	3144×768×426	(1442+1467)×405				
QG-D454/27.6J	27600		450	4	19000	16	1.12	1 1/8"	1 5/8"	2.6	5	2.6	1	15.6	3144×768×426	3144×768×426	(1442+1467)×405				

备注 Remark: ①尺寸如有变动恕不另行通知 The size modification will be with no notification in advance

②表中所有风量均为最大风量 The air volume in the table is for the biggest data